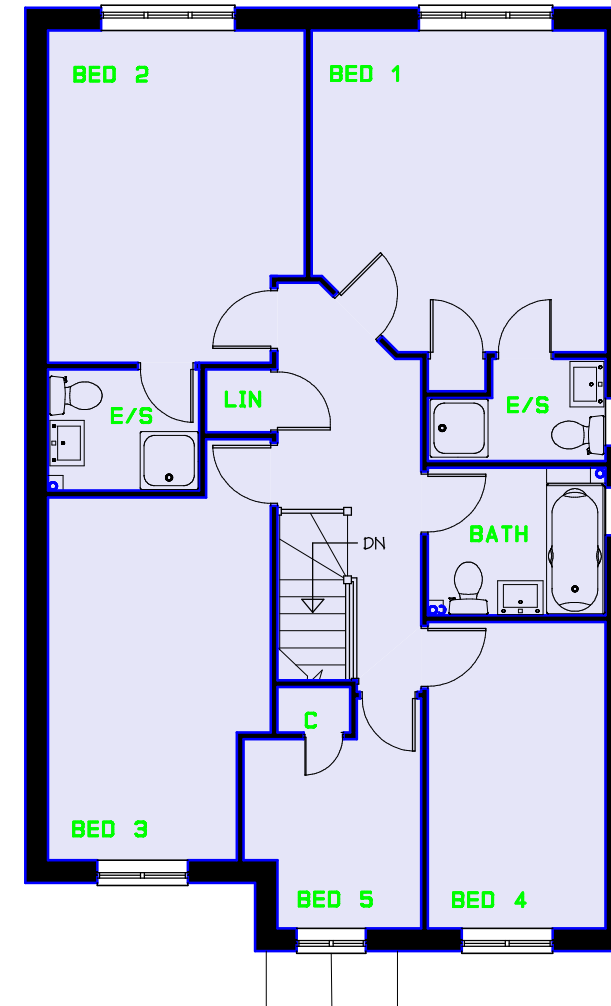


**GROUND FLOOR PLAN**



**FIRST FLOOR PLAN**

**PLOT 2**  
**BURSTON DRIVE PARK ST**  
**ST ALBANS**  
**Scale 1:100**